

Product Sheet

TrustBuilder® Transaction Validation Services

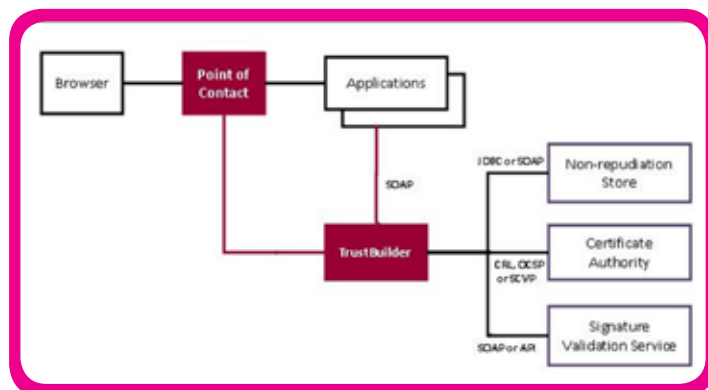
Transaction signing has been around for some time in financial institutions for money transfer actions. However, organizations are now expanding the services presented to users across the Internet, creating a need to introduce such a proof point for many other applications. In addition to its existing Authentication services capability, SecurIT TrustBuilder has been enhanced to provide such Transaction Validation services to applications.

About TrustBuilder

TrustBuilder provides transaction signing and validation services to applications through a web service. Signing validation can be handled via different mechanisms, such as CAP-EMV or digital certificates. Application programmers don't need to worry anymore about the complexity and security of signing transactions; all it takes is a simple web service call to TrustBuilder which takes care of the transaction preparation, signing and validation.

What TrustBuilder offers

- Transaction Preparation
 - o Recognize a transaction that requires a signature
 - o Generate challenges for the transaction
- Transaction Signing
 - o Embed challenge in transaction confirmation pages
 - o Embed signing module in transaction confirmation page
- Transaction Validation
 - o Recognize transaction confirmation
 - o Extract transaction signature
 - o Forward signature to signature validation module
 - o Enforce transaction validation



Business Benefits

- Transaction Validation services can now easily be shared by multiple applications, allowing significant savings
- Minimal impact on existing and new applications, reducing development time
- Open to support new Transaction Proofing mechanisms
- Open to support new Transaction Types
- Transaction Validation Services can be combined with Authentication Services on the same TrustBuilder system