

Product Sheet

Transaction Validation Services with IBM Tivoli Access Manager

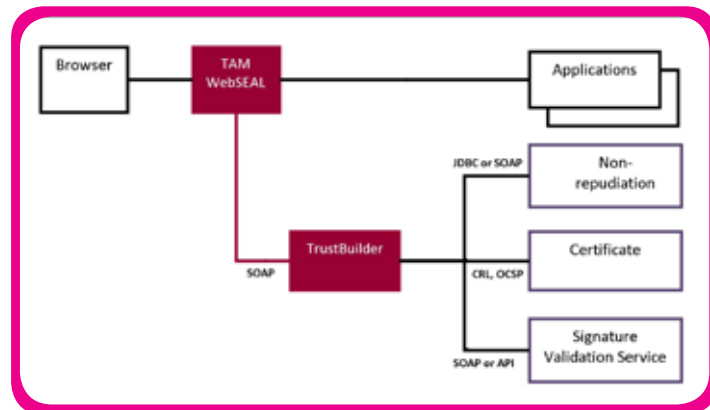
Transaction signing has been around for some time in financial institutions for money transfer actions. However, organizations are now expanding the services presented to users across the Internet, creating a need to introduce such a proof point for many other applications. In addition to its existing Authentication services capability, SecurIT TrustBuilder has been enhanced to provide such Transaction Validation services to applications in conjunction with IBM Tivoli Access Manager.

About TrustBuilder

TrustBuilder is seamlessly integrated with ITAM Dynamic Authorization Rules, providing transaction signing and validation from within the infrastructure and in a transparent way to back-end applications. If so desired, these functions can also be called from within an application through a web service. Signing validation can be handled via different mechanisms, such as CAP-EMV or digital certificates.

What ITAM + TrustBuilder offers

- Transaction Preparation
 - o Recognize a transaction that requires a signature
 - o Generate challenges for the transaction
- Transaction Signing
 - o Embed challenge in transaction confirmation pages
 - o Embed signing module in transaction confirmation page
- Transaction Validation
 - o Recognize transaction confirmation
 - o Extract transaction signature
 - o Forward signature to signature validation module
 - o Enforce transaction validation



Business Benefits

- Transaction Validation services can now easily be shared by multiple applications, allowing significant savings
- Minimal impact on existing and new applications, reducing de-velopment time
- Open to support new Transaction Proofing mechanisms
- Open to support new Transaction Types
- Transaction Validation Services can be combined with Authentication Services on the same TrustBuilder system